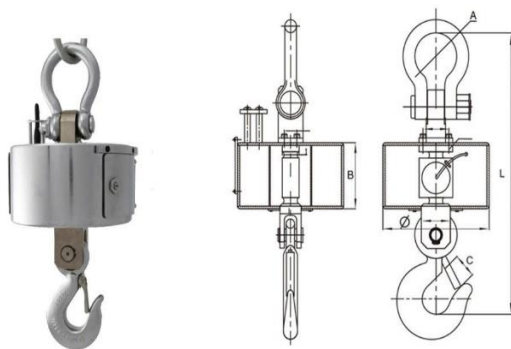


## Wireless crane scale



- Newly designed K series scale, sturdy and portable
- Impact resistant all steel construction for RFI protection
- Long-life environmental LFP battery for scale

Type	1t	2t	3t	5t	10t	15t	20t
Division (kg)	0.5	1	1	2	5	5	10
A	76	76	76	80	90	135	150
B	125	125	125	125	130	141	148
C	40	40	40	50	54	60	73
Ø	240	240	240	240	263	263	295
L	467	467	467	536	610	729	811
N.W.(kg)	15	15	15	23	36	52	65